



Product manual

Regulation louvers

RZ12, ZRZ12

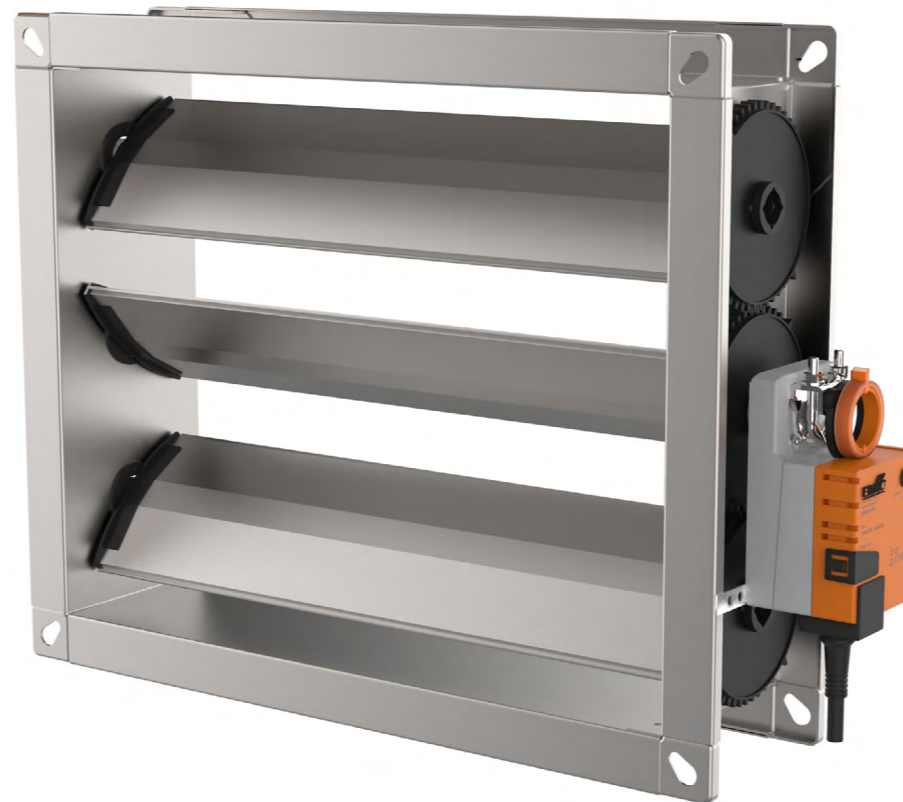
Airflow regulation

Version 1.0.3
Date: 11.01.2022

RZ12

Regulation louver types RZ12, are used for air volume and pressure control. They are made out of galvanized steel sheet. Louver gears and bearings are produced out of ABS plastic. Louver can be operated manually or equipped with electric actuator (24V or 230V).

- opposed louver blade operation
- $\Delta p_{max} = 1000 \text{ Pa}$; $t_{max} = 70 \text{ }^\circ\text{C}$
- casing air leakage according to EN1752, class C
- open/close, continuous, fast acting and spring return actuators



- ▶ [RZ12 Product overview](#)
- ▶ [ZRZ12 Product overview](#)
- ▶ [Ordering key](#)
- ▶ [Actuators](#)
- ▶ [Installation / Diagrams](#)

PRODUCT OVERVIEW

AIRFLOW REGULATION

DIMENSIONS

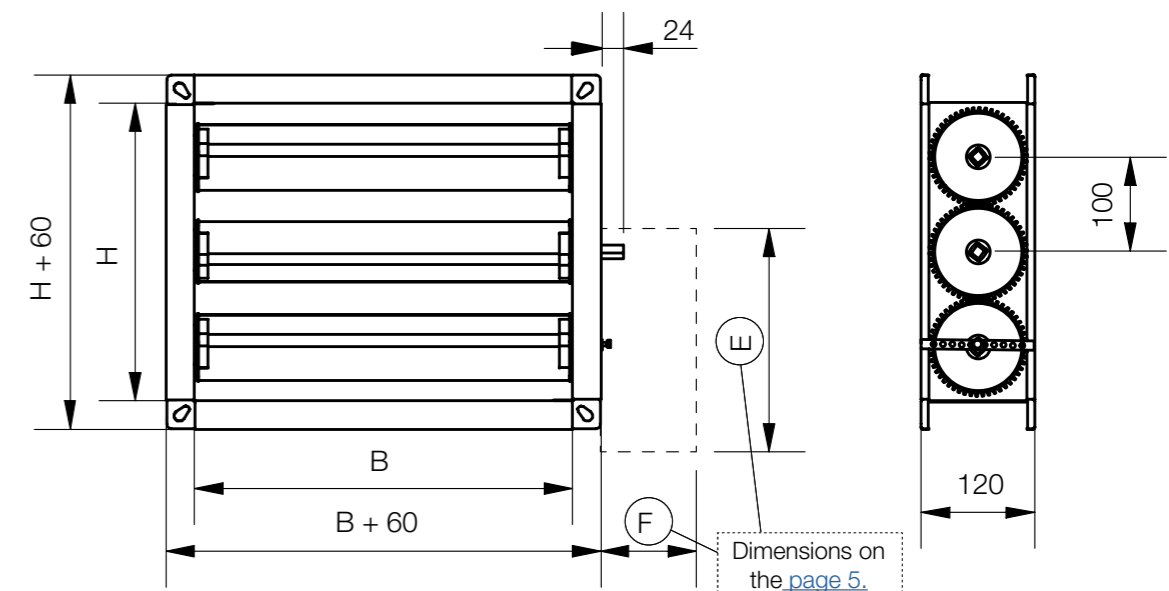
Base B [mm]	Height H [mm]
200	200
300	300
400	400
500	500
600	600
700	700
800	800
900	900
1000	1000
1200	1000
1400	1000

* All combinations B x H are possible

WEIGHTS

Base B [mm]	Height H [mm]									
	200	300	400	500	600	700	800	900	1000	
200	2	2	3	3	3	4	4	5	5	
300	3	3	4	4	5	5	5	6	6	
400	4	4	5	5	6	6	7	7	8	
500	4	4	5	5	6	7	7	8	9	
600	5	5	6	7	7	8	9	9	10	
700	6	6	7	8	8	9	10	11	11	
800	6	7	8	9	9	10	11	12	13	
900	7	7	8	9	10	11	12	13	14	
1000	7	7	9	10	11	12	13	14	15	
1200	8	9	10	11	12	13	14	15	16	
1400	9	10	11	12	13	14	15	16	17	

*Weights are shown in kg.



ZRZ12

Airtight regulation louvers type ZRZ12, are used for air volume and pressure control. They are made out of galvanized steel sheet. Louver gears and bearings are produced out of ABS plastic. Louver blades are equipped with blade tip seals that provide low air leakage. Louver can be operated manually or equipped with electric actuator (24V or 230V).

- opposed louver blade operation
- $\Delta p_{max} = 1000 \text{ Pa}$; $t_{max} = 70 \text{ }^\circ\text{C}$
- casing air leakage according to EN1751, class C
- blade air leakage according to EN1751, class 3
- open/close, continuous, fast acting and spring return actuators



- ▶ [RZ12 Product overview](#)
- ▶ [ZRZ12 Product overview](#)
- ▶ [Ordering key](#)
- ▶ [Actuators](#)
- ▶ [Installation / Diagrams](#)

PRODUCT OVERVIEW

AIRFLOW REGULATION

DIMENSIONS

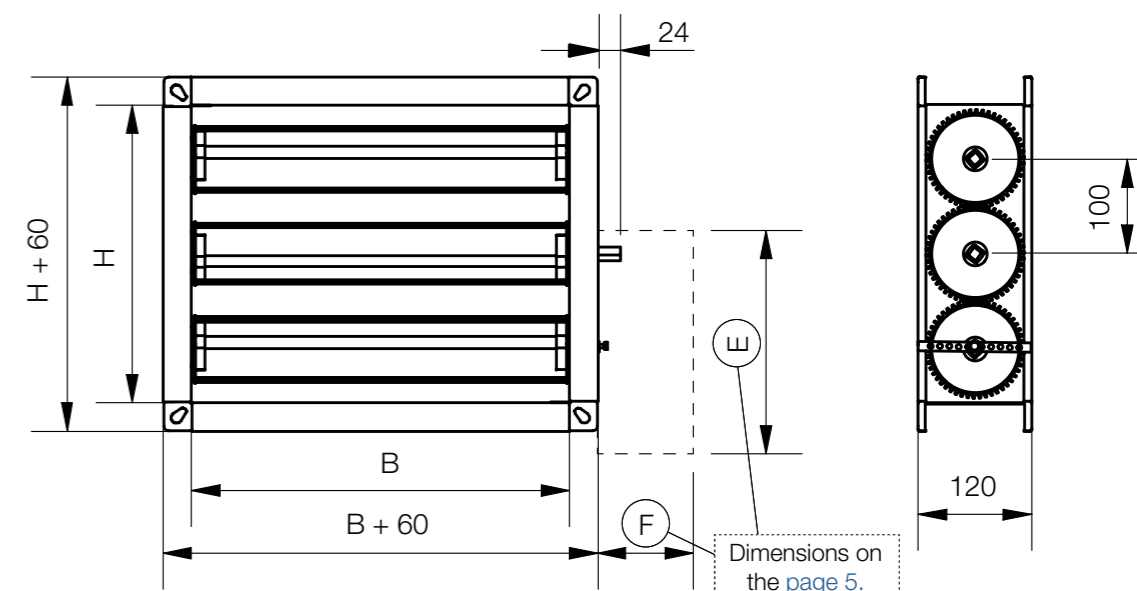
Base B [mm]	Height H [mm]
200	200
300	300
400	400
500	500
600	600
700	700
800	800
900	900
1000	1000
1200	1000
1400	1000

* All combinations B x H are possible

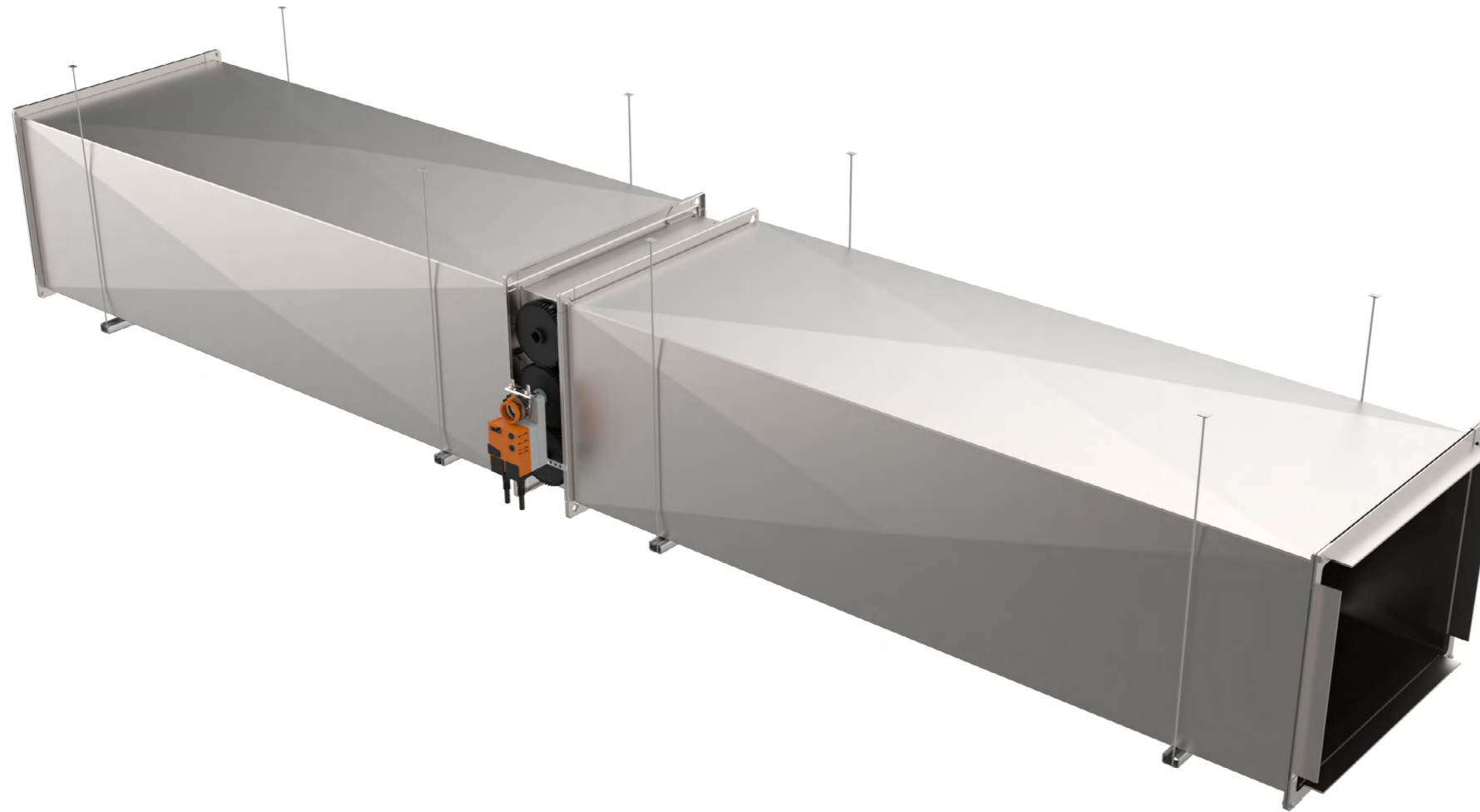
WEIGHTS

Base B [mm]	Height H [mm]									
	200	300	400	500	600	700	800	900	1000	
200	2	2	3	3	3	4	4	5	5	
300	3	3	4	4	5	5	5	6	6	
400	4	4	5	5	6	6	7	7	8	
500	4	4	5	5	6	7	7	8	9	
600	5	5	6	7	7	8	9	9	10	
700	6	6	7	8	8	9	10	11	11	
800	6	7	8	9	9	10	11	12	13	
900	7	7	8	9	10	11	12	13	14	
1000	7	7	9	10	11	12	13	14	15	
1200	8	9	10	11	12	13	14	15	16	
1400	9	10	11	12	13	14	15	16	17	

*Weights are shown in kg.



Dimensions on the [page 5](#).



- ▼ [RZ12 Product overview](#)
- ▼ [ZRZ12 Product overview](#)
- ▼ [Ordering key](#)
- ▼ [Actuators](#)
- ▼ [Installation / Diagrams](#)



ORDERING KEY

AIRFLOW REGULATION

ORDERING KEY

(1) Regulation louver (2) Dimension (3) Actuator type (4) Regulation

RZ12 - **BxH** - **M230** - **OZ**

(1) Regulation louver: **RZ12**
ZRZ12

(2) **BxH**

(3) Actuator:
R - manual
M24 - actuator 24 V
M230 - actuator 230 V

(4) Regulation (only for electric actuators)
OZ - open/close
K - continuous
F - spring return
Q - fast acting



- [▼ RZ12 Product overview](#)
- [▼ ZRZ12 Product overview](#)
- [▼ Ordering key](#)
- [▼ Actuators](#)
- [▼ Installation / Diagrams](#)

Belimo motor drive

- motor drives - Belimo (open/close, continuous, fast-acting, spring return)
- power supply - AC 24V, 50/60 Hz
- DC 24V
- IP54 degree of protection

Voltage AC/DC	Type	Control	Torque	Energy consumption	Wire sizing	Weight [kg] approx.	Dimension (F x E)
DC24V	LM24A	3-point	5 Nm	1 W	1.5 VA	0.46	160 x 90
	NM24A	3-point	10 Nm	1,5 W	3.5 VA	0.75	180 x 90
	SM24A	3-point	20 Nm	2 W	4VA	0.94	180 x 90
	LM24A-SR	continuous	5 Nm	1 W	2VA	0.40	160 x 90
	NM24A-SR	continuous	10 Nm	2 W	4VA	0.74	180 x 90
	SM24A-SR	continuous	20 Nm	2 W	4VA	0.93	180 x 90
	LMQ24A	fast-acting	4 Nm	13 W	Imax 20 A @ 5 ms	0.87	190 x 100
	NMQ24A	fast-acting	8 Nm	13 W	Imax 20 A @ 5 ms	1	205 x 110
	SMQ24A	fast-acting	16 Nm	15 W	Imax 20 A @ 5 ms	1.7	180 x 110
	LF24	spring return	4 Nm	5 W	Imax 5.8 A @ 5 ms	1.4	220 x 110
AC/DC 24/230V	NFA	spring return	10 Nm	6 W	9,5 VA	3.1	240 x 120
AC 230V	LM230A	3-point	5 Nm	1,5 W	3,5 VA	0.46	160 x 90
	NM230A	3-point	10 Nm	2.5 W	5,5 VA	0.72	180 x 90
	SM230A	3-point	20 Nm	2.5 W	6 VA	1.1	180 x 90
	LM230A-SR	continuous	5 Nm	2 W	4 VA	0.50	180 x 90
	NM230A-SR	continuous	10 Nm	3,5 W	6,5 VA	0.84	190 x 90
	SM230A-SR	continuous	20 Nm	3.5 W	6,5 VA	1.1	205 x 90
	LF230	spring return	4 Nm	5 W	7 VA	1.6	220 x 110

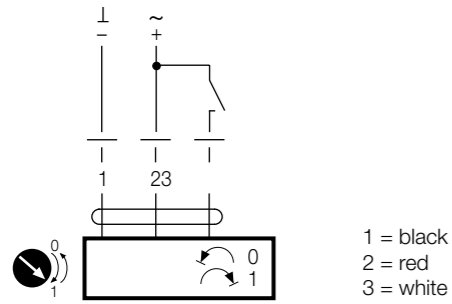


ACTUATORS

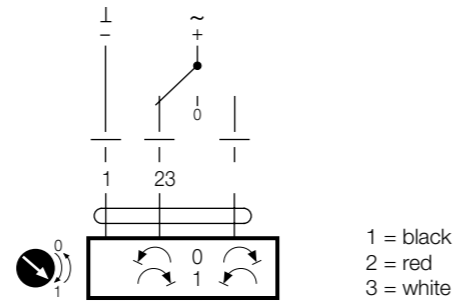
Wiring diagram

OZ -open/close

AC/DC 24 V, open/close

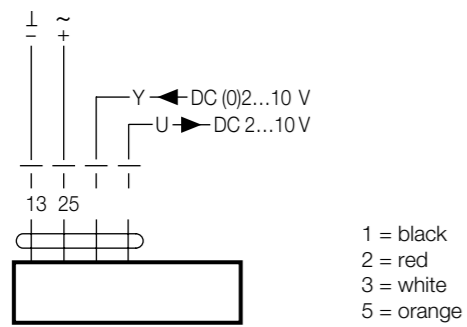


AC/DC 24 V, 3-point



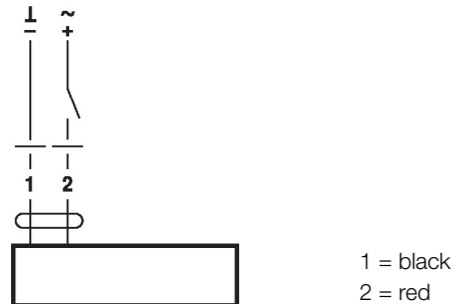
K -continuous

AC/DC 24 V, modulating



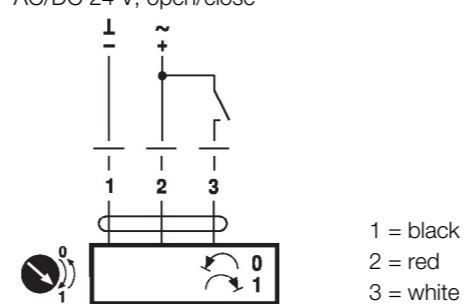
F -spring return

AC/DC 24 V, open/close



Q -fast-acting

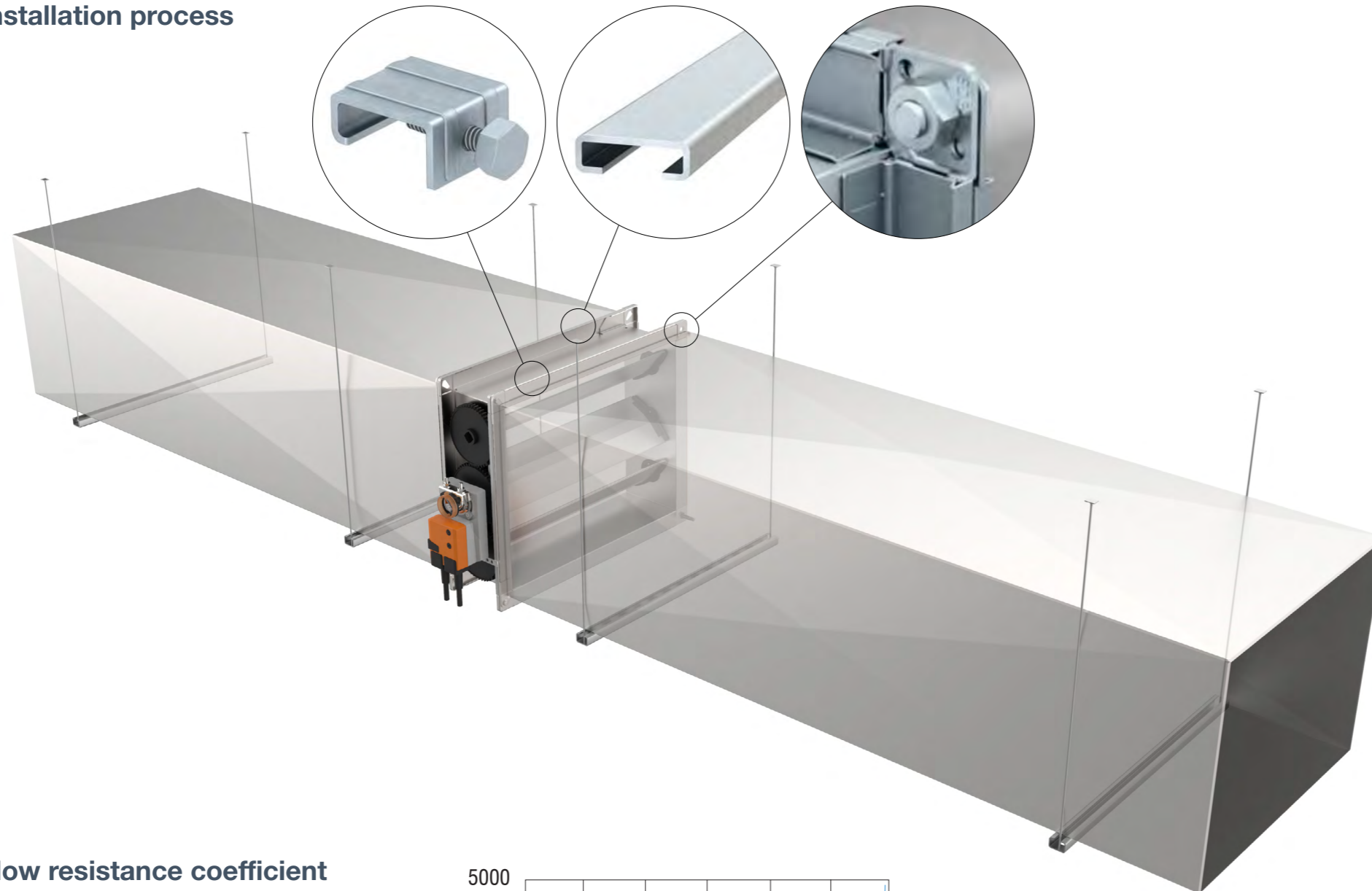
AC/DC 24 V, open/close



- ▼ [RZ12 Product overview](#)
- ▼ [ZRZ12 Product overview](#)
- ▼ [Ordering key](#)
- ▼ [Actuators](#)
- ▼ [Installation / Diagrams](#)

ACTUATORS

Installation process



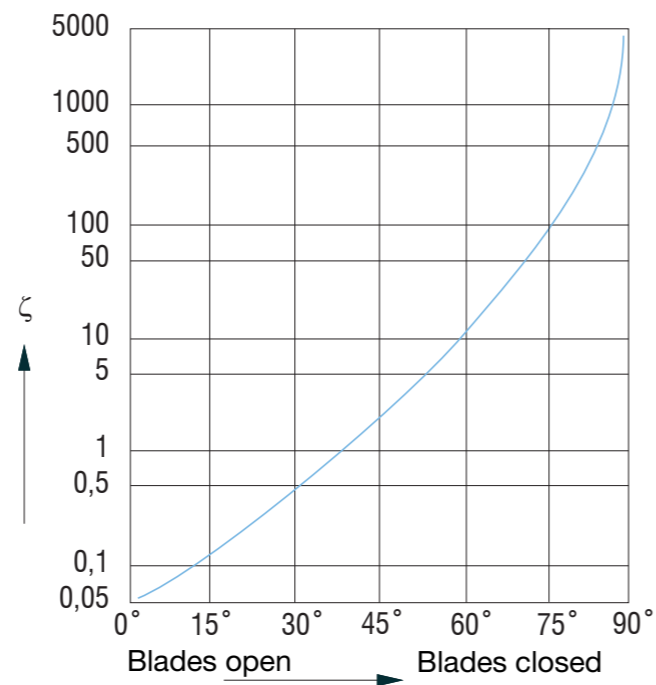
- ▼ [RZ12 Product overview](#)
- ▼ [ZRZ12 Product overview](#)
- ▼ [Ordering key](#)
- ▼ [Actuators](#)
- ▼ [Installation / Diagrams](#)

INSTALLATION

Flow resistance coefficient

ζ diagram for RL and RL-A louvers, depending on blade angle setting (angle of blades opening). Airflow velocity v[m/s] refers to the total cross-section area A=BxH [m²]

$$dp = (\zeta \cdot \rho \cdot v^2) / 2$$





- ▼ [RZ12 Product overview](#)
- ▼ [ZRZ12 Product overview](#)
- ▼ [Ordering key](#)
- ▼ [Actuators](#)
- ▼ [Installation / Diagrams](#)



TRANSPORT

After arrival, check the product for transport damage and shortcomings. In case of any damage or shortcomings, immediately contact your supplier.

STORAGE

If the louver is not installed immediately:

- Remove any wrapping.
- Protect louver from dust and contamination.
- Do not expose the louver to the effects of weather - store the louver in a dry place.
- Do not store the unit below -20 °C or above 50 °C.

Please properly dispose of packaging material!

MAINTENANCE AND OPERATION

Klimaoprema louvers are designed with fully enclosed drive mechanism outside of the duct and as such do not require cleaning and regular maintenance.

However, activation mechanism should be inspected for proper operation on regular basis.

- Provide at least one annual check of the regulation damper
- After each intervention, provide a systematic cleaning of dust and especially its movable plate
- Check the if the electrical terminals are tightened
- Cleaning instruction: clean with a sponge, with water or a mild detergent
- Disinfection instruction: spray disinfectant (disinfectant may contain alcohol which is flammable, take precaution to avoid ignition)

It is not permitted to alter the products in any way nor perform any changes to their structure without the manufacturer's consent. The functional test must be carried out in compliance with the basic maintenance principles of the European norms.


COMMISSIONING

- Carefully unpack louver - be careful of sharp edges and do not use excessive force for unpacking
- Inspect the louver - check the regulation louver for damage
- Installation of the louver - according to the installation instructions
- Before commissioning - check the louver functions



AIRFLOW REGULATION

Projektiranje, proizvodnja i održavanje opreme za klimatizaciju, ventilaciju i čiste prostore.
Design, production and service of Ventilation, Air-Conditioning and Cleanroom equipment.

-  Gradna 78A, 10430 Samobor, Croatia
-  +385 (0)1 33 62 513
-  info@klimaoprema.com
-  www.klimaoprema.com